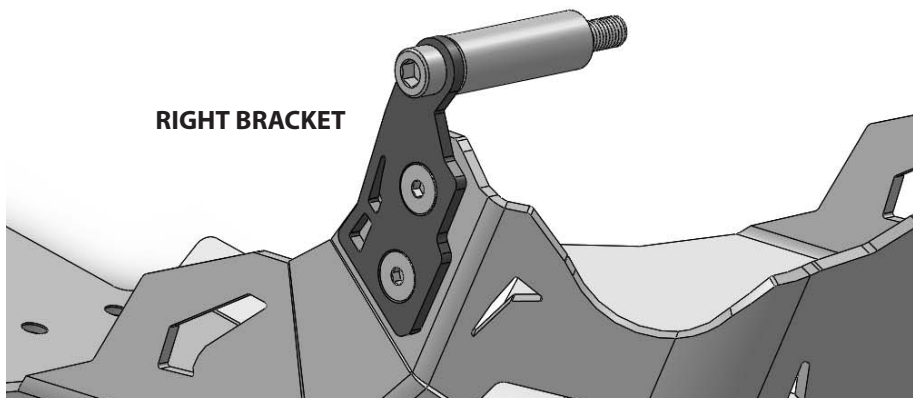
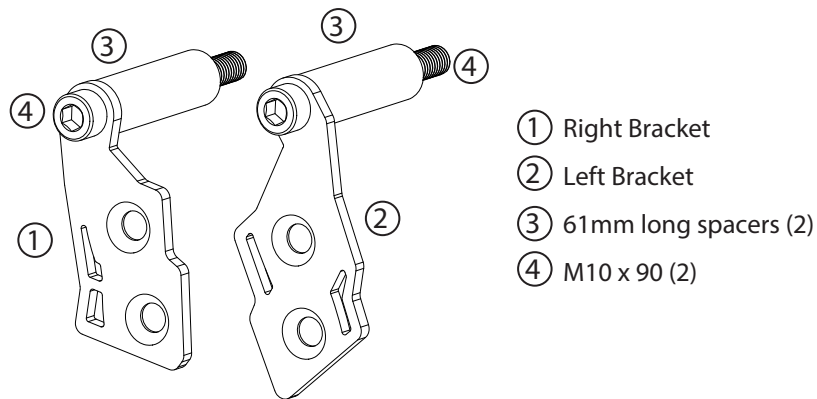


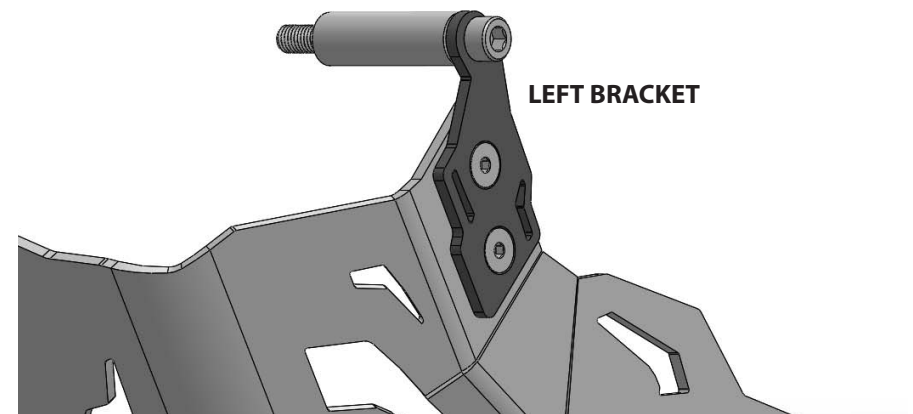
## READ FIRST!

### KTM 1290 Super Adventure Skid Plate Instructions

- 1) All parts are the same between the 1190 and 1290 except the right and left front mounting brackets, spacers, and long M10 bolts.
- 2) Follow all the 1190 Adventure Installation instructions through step 4.
- 3) Replace steps 5 and 6 with the new 1290 Super Adventure specific steps 5 and 6 below.
- 4) Finish the 1190 instructions steps 7-9, be sure to final tighten all bolts.



- ⑤ **ATTACH RIGHT AND LEFT 1290 BRACKETS**  
Place Bracket as shown on outside of skid plate. Attach loosely with M8x20 flat head screws, large M8 washers, and m8 lock nuts.



- ⑥ **ATTACH FRONT OF SKID PLATE TO CRASH BAR MOUNTS**  
Insert one 61mm long aluminum spacer into each side of the front crash bar mount. Insert M10 x 90mm cap head bolt. Snug but do not torque yet.